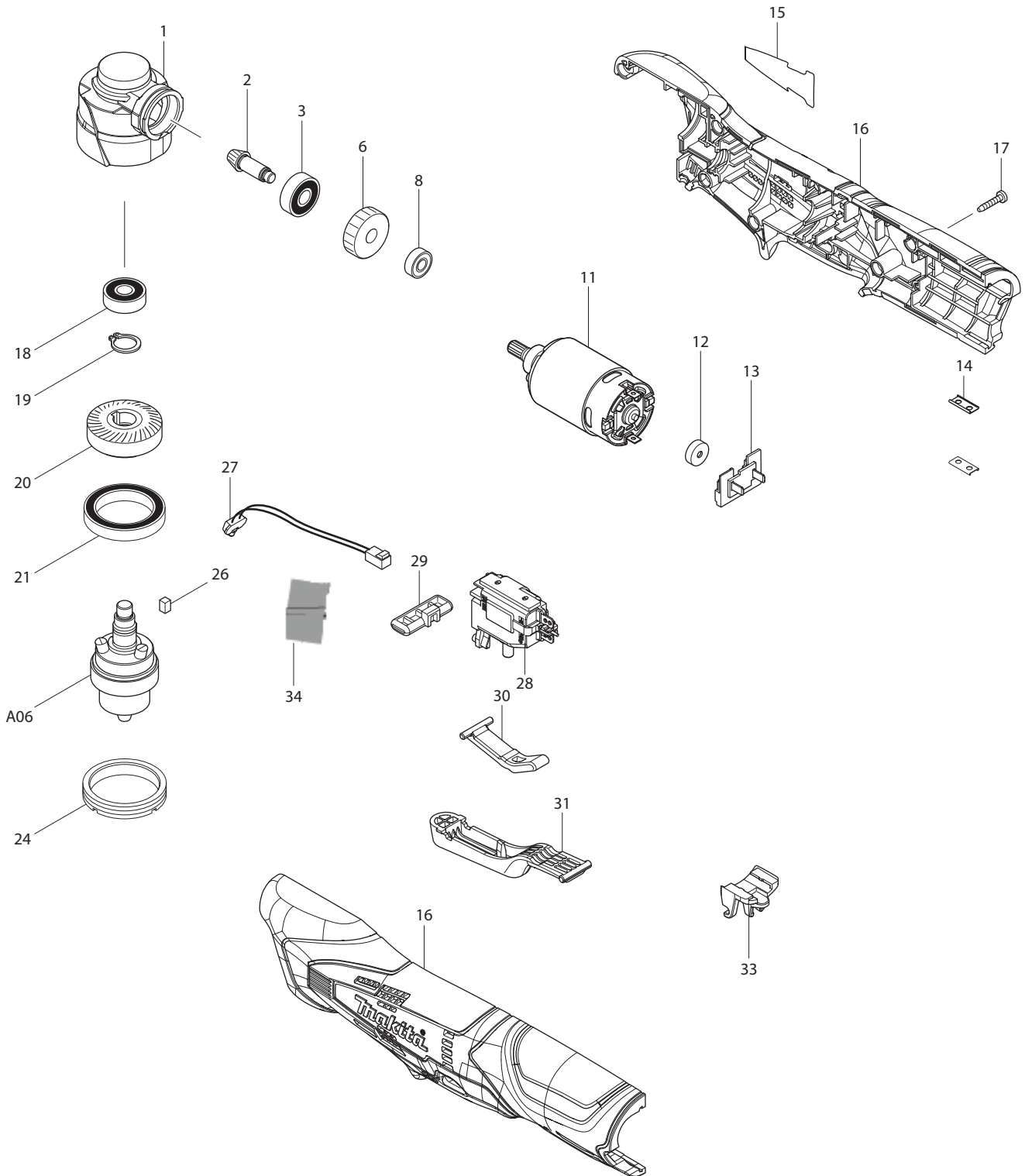




08 - 2013
AD01, AD01Z
12V ANGLE DRILL



Item No	Type	Ref	Part No	Description	Qty	Unit
1			318933-8	GEAR HOUSING	1	PC.
2			227600-3	SPIRAL BEVEL GEAR 6	1	PC.
3			210029-0	BALL BEARING 608ZZ	1	PC.
6			227328-3	SPUR GEAR 42	1	PC.
8			210033-9	BALL BEARING 696ZZ	1	PC.
11			629976-8	DC MOTOR	1	PC.
12			424529-6	CAP	1	PC.
13			643830-2	TERMINAL	1	PC.
14			345998-7	SET PLATE	2	PC.
15			814B95-7	NAME PLATE F/AD01	1	PC.
16			187528-6	HOUSING SET	1	SET
17			266130-9	TAPPING SCREW BIND PT 3X16	7	PC.
18			210029-0	BALL BEARING 608ZZ	1	PC.
19			961052-5	RETAINING RING S-12	1	PC.
20			227601-1	SPIRAL BEVEL GEAR 31	1	PC.
21			211423-9	BALL BEARING 6806DDW	1	PC.
24			285842-5	BEARING RETAINER 36-43	1	PC.
26			254201-4	KEY 4	1	PC.
27			620177-1	LED CIRCUIT	1	PC.
28			650666-2	SWITCH	1	PC.
29			450610-7	F/R CHANGE LEVER	1	PC.
30			454100-2	LINK	1	PC.
31			454102-8	SWITCH LEVER	1	PC.
33			454099-1	KEY HOLDER	1	PC.
34		1	424248-4	SPONGE SHEET 15-25 (Added)	1	PC.
		2	424248-4	SPONGE SHEET 15-25	2	PC.
E01			800P42-8	CAUTION LABEL	1	PC.
C01			874445-6	CARTON F/AD01Z	1	PC.
C01A			874452-9	CARTON F/AD01	1	PC.
<u>ACCESSORIES</u>				- See Catalogue or visit www.makita.ca for more accessories -		
A01			763450-7	3/8" CHUCK KEY	1	PC.
A02			784244-7	+ BIT 2-50	1	PC.
A03			DC10WB	DC10WB BATTERY CHARGER	1	PC.
A04			195332-9	12V MAX LI-ION BATTERY BATTERY BL1014	2	PC.
A05			821556-8	PLASTIC CARRYING CASE	1	PC.
		INC.	162315-4	LATCH	2	PC.
A06			766018-8	3/8" DRILL CHUCK	1	PC.